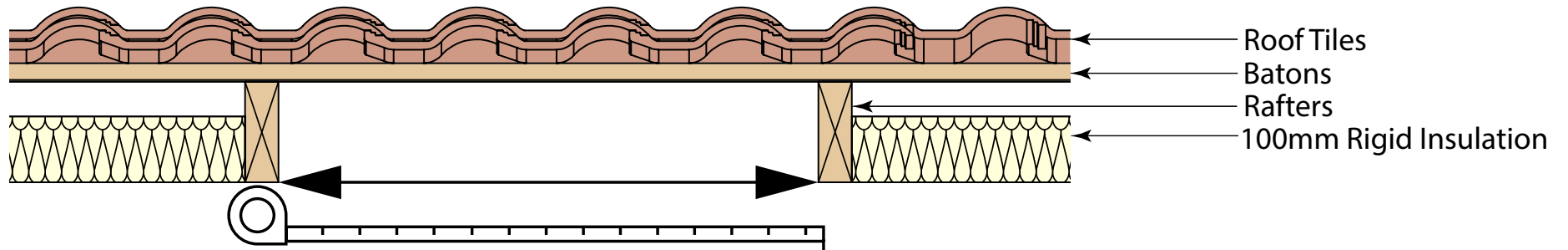
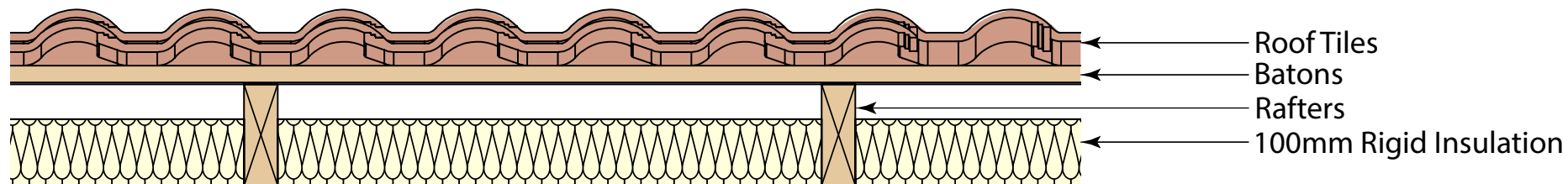
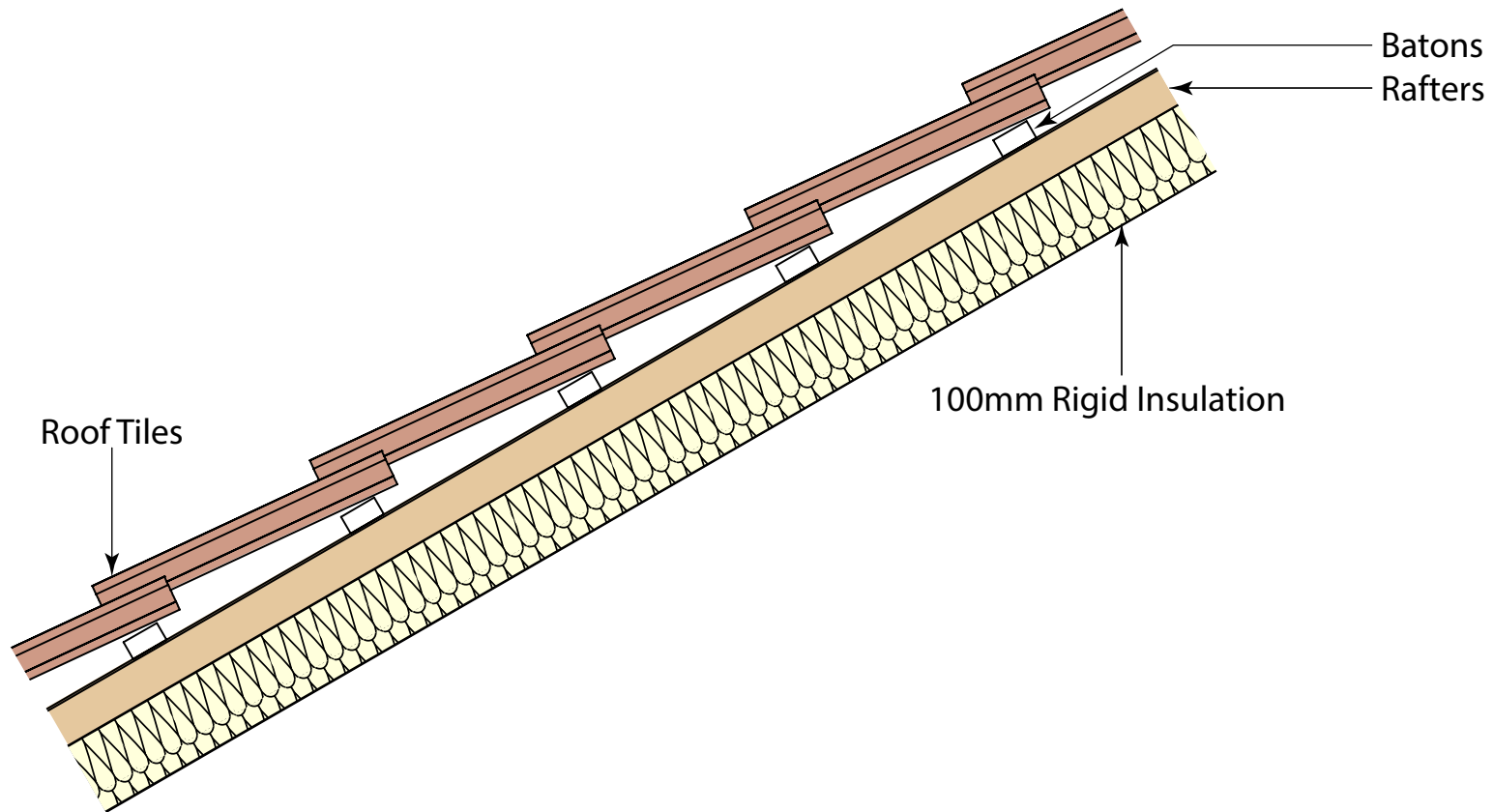
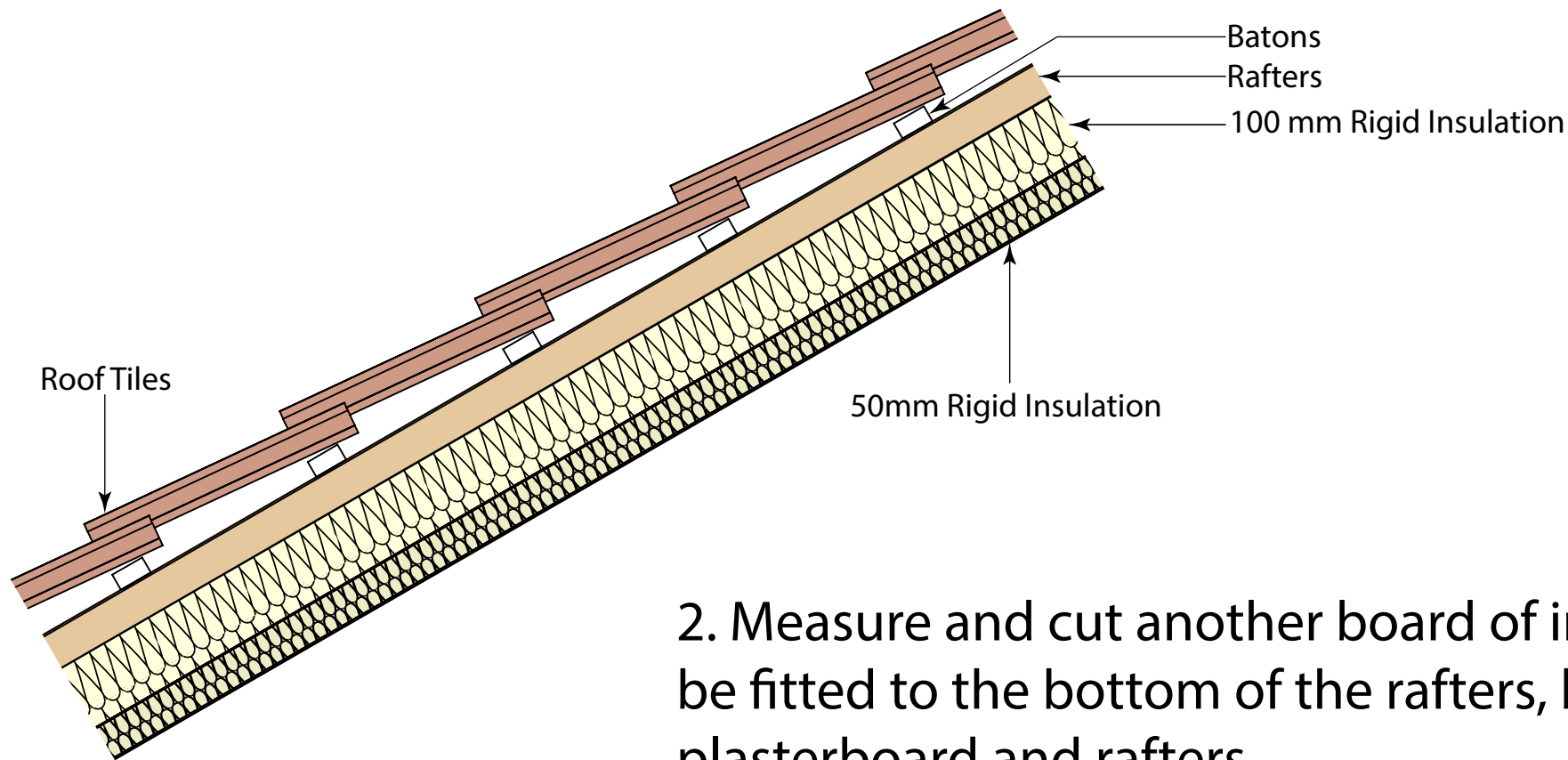


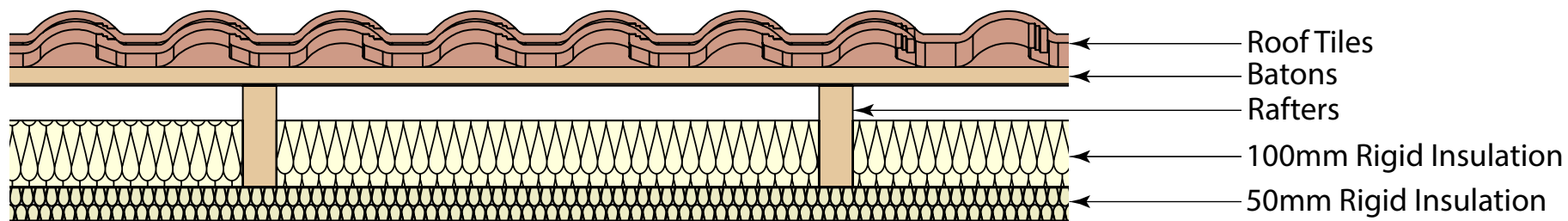
1. Measure and cut insulation to fit between the rafters as the first layer of insulation.

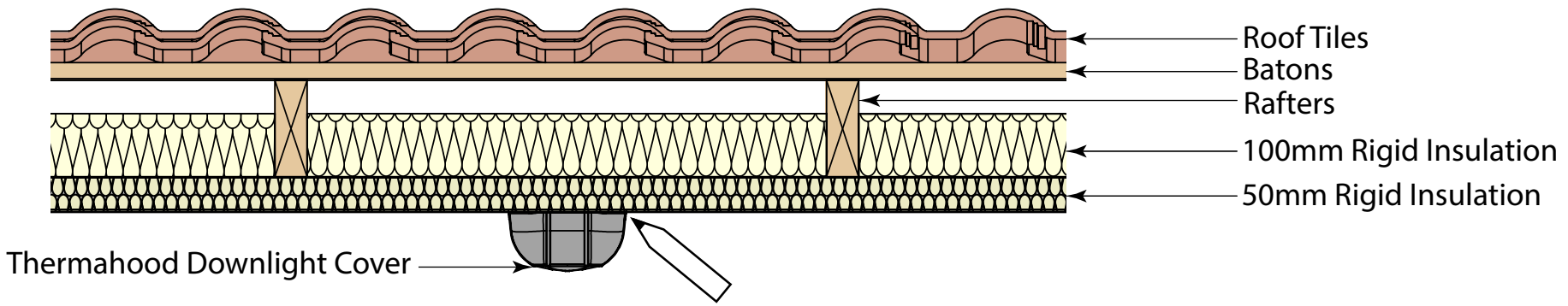
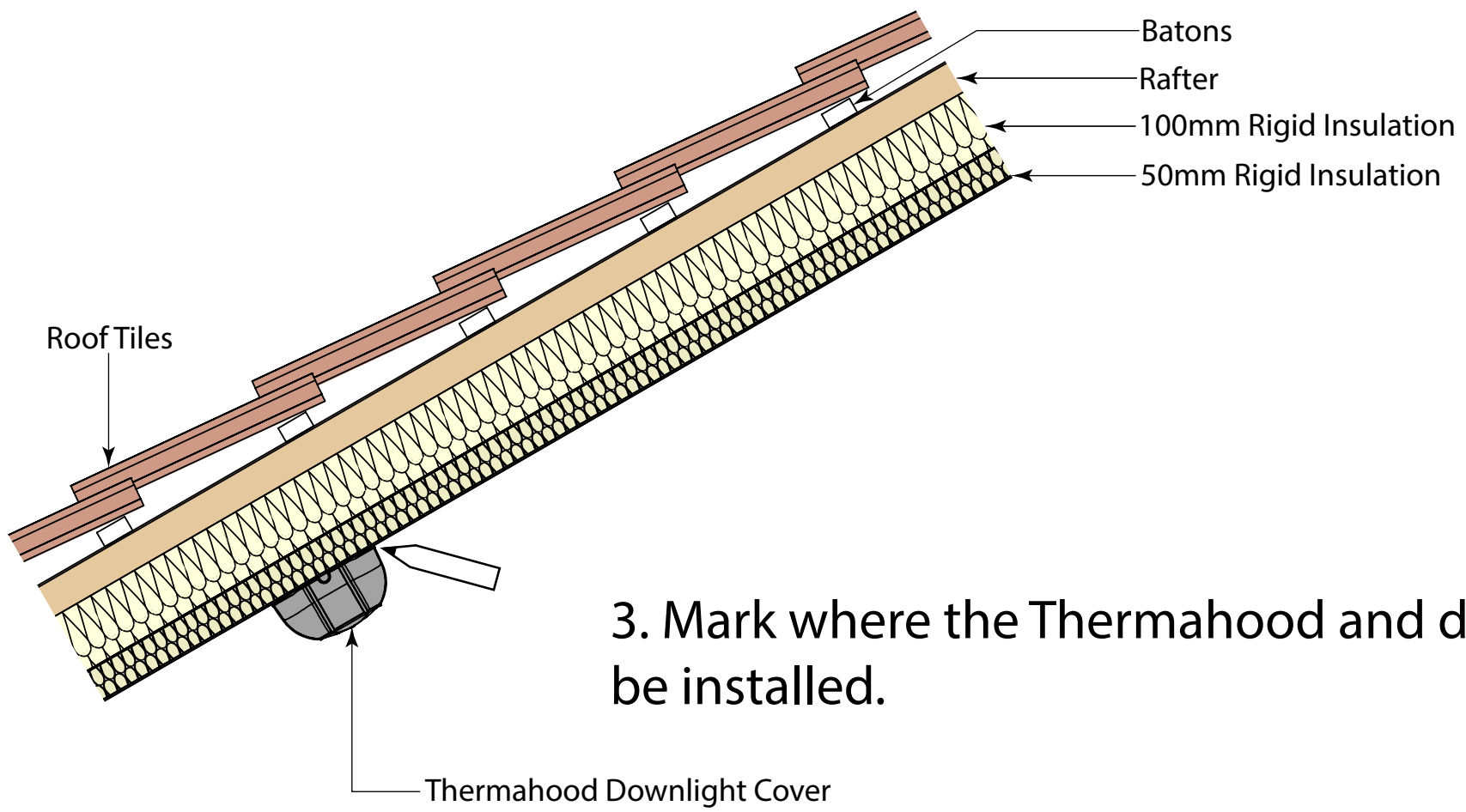


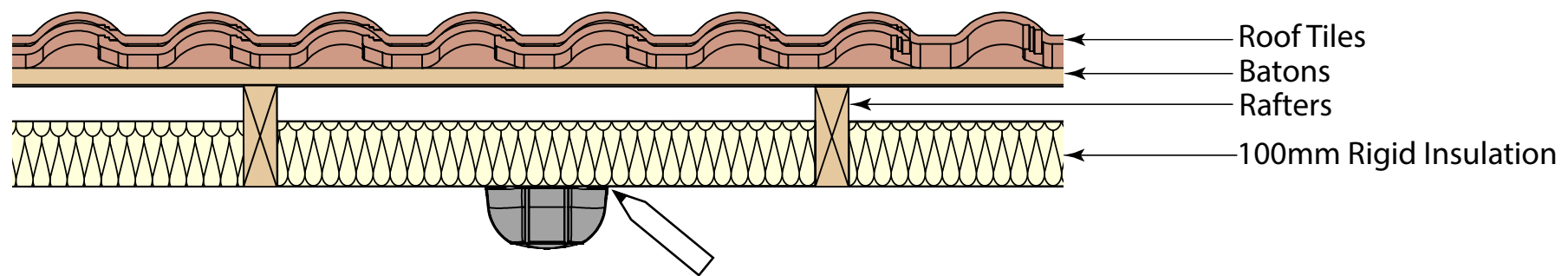
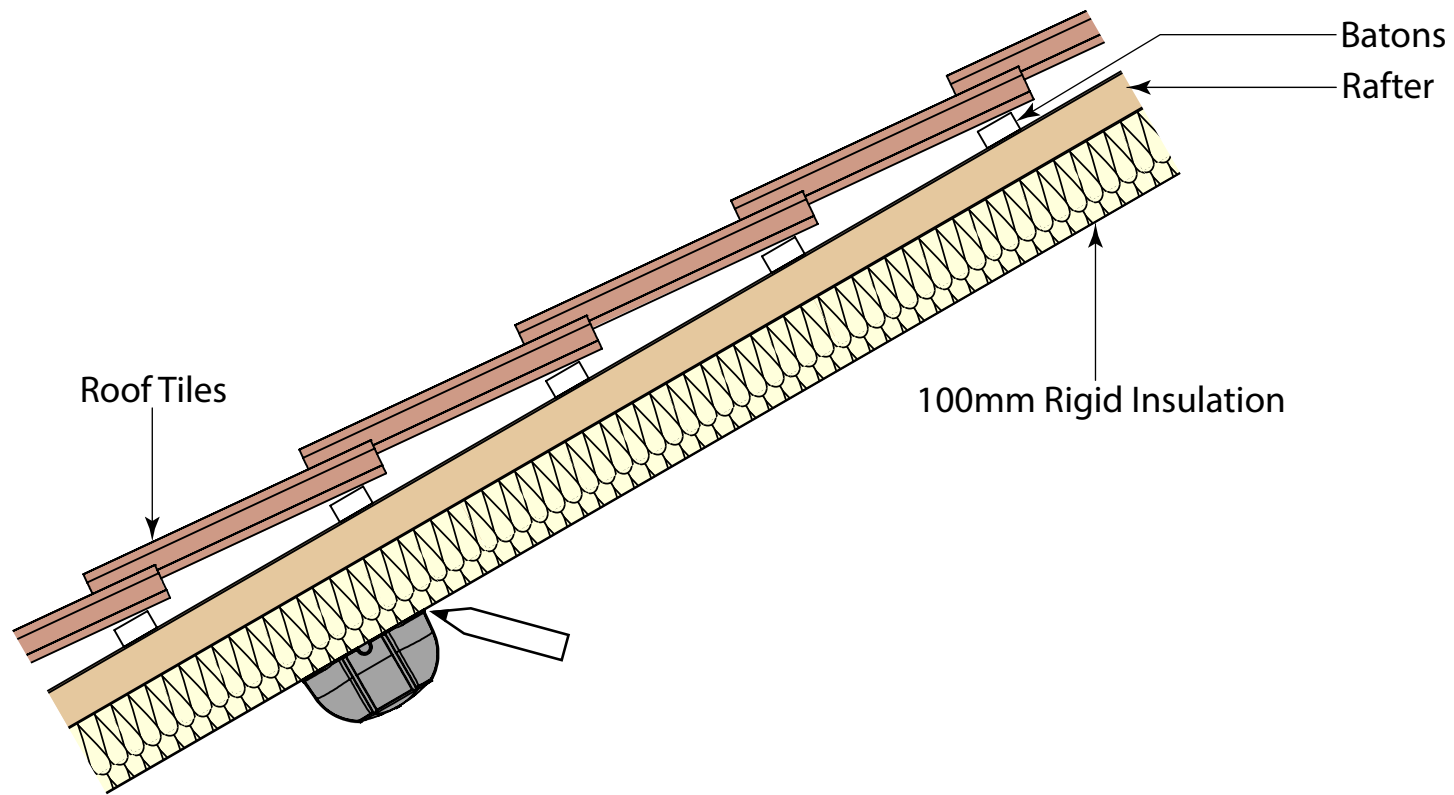


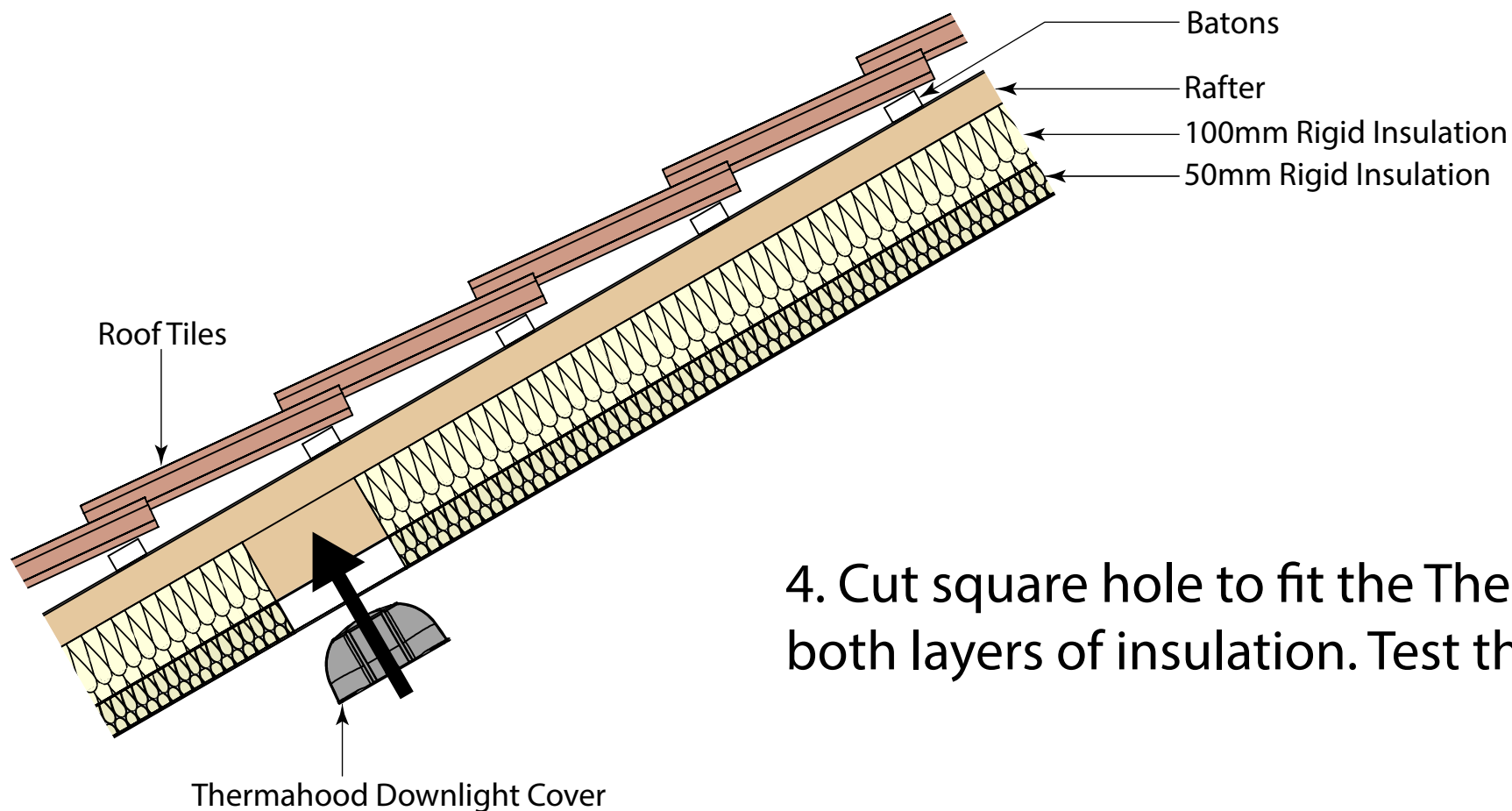


2. Measure and cut another board of insulation to be fitted to the bottom of the rafters, between the plasterboard and rafters.

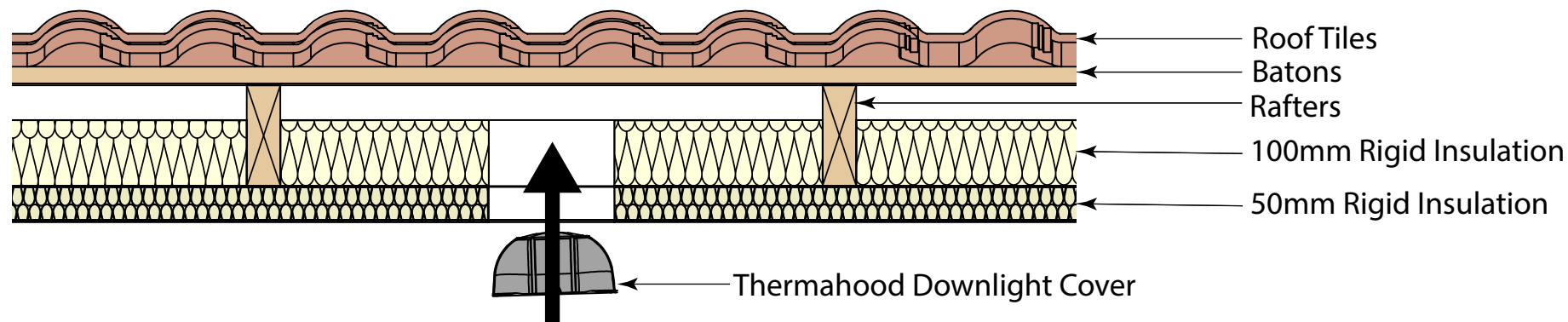


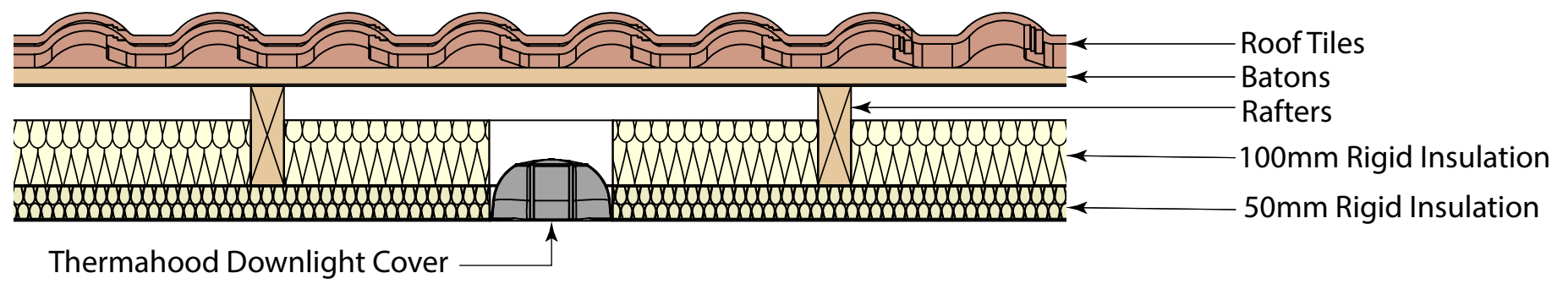
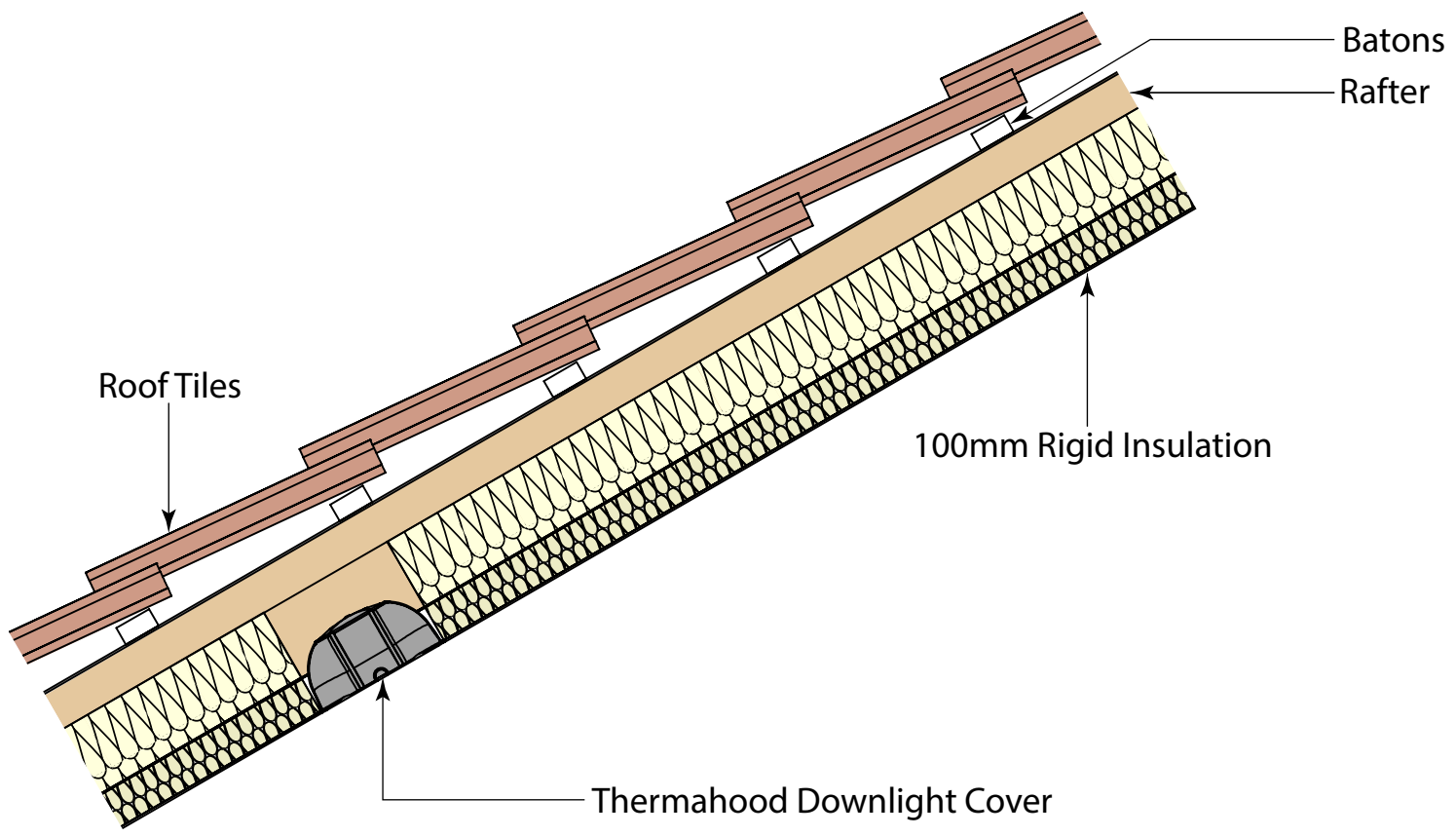


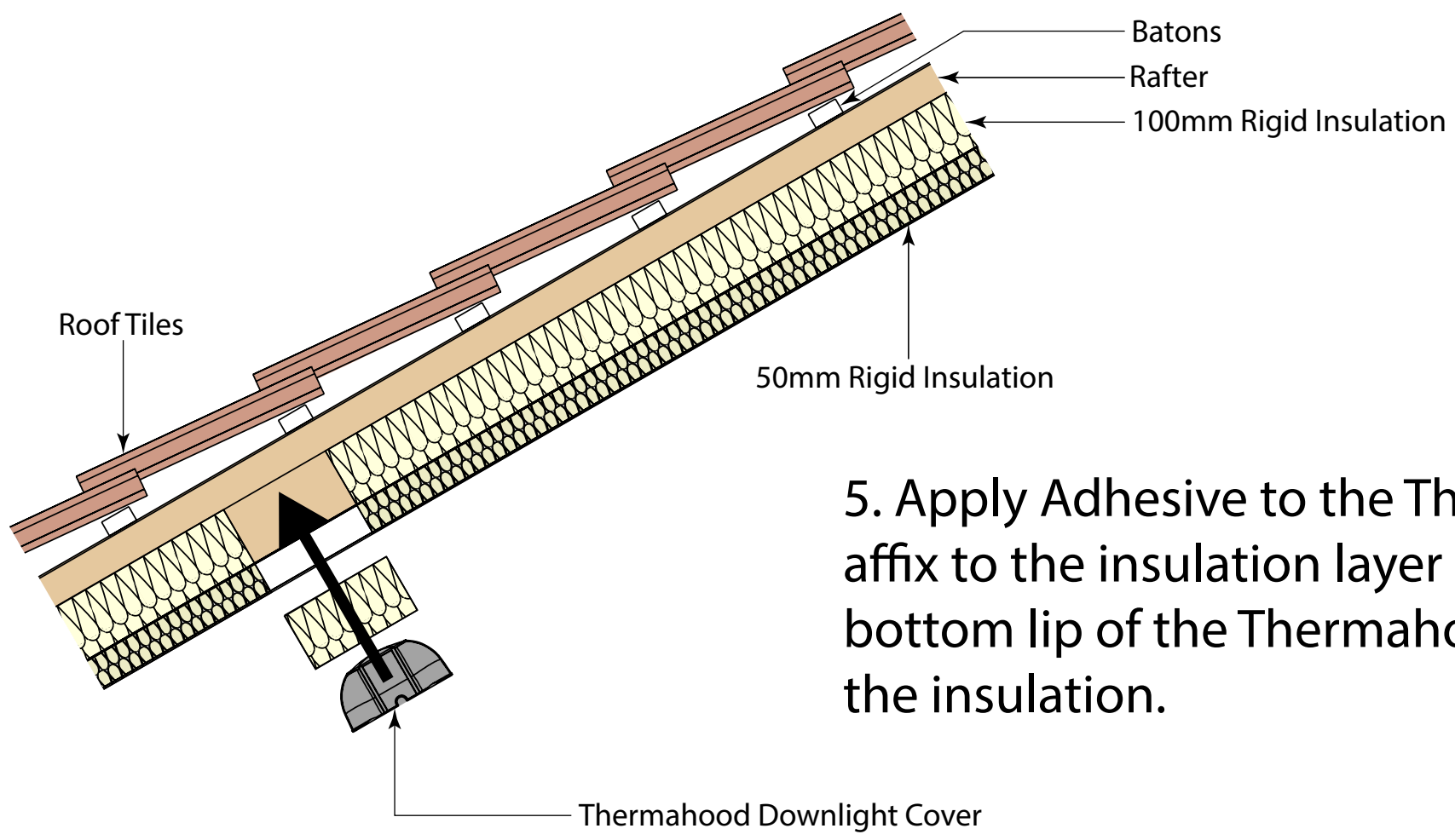




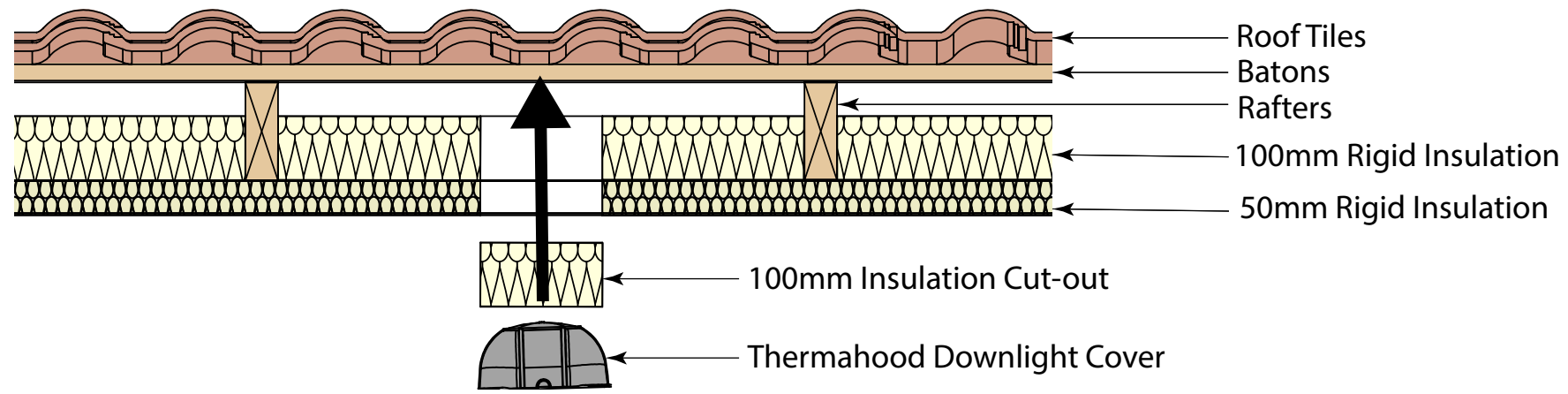
4. Cut square hole to fit the Thermahood in both layers of insulation. Test the fit.



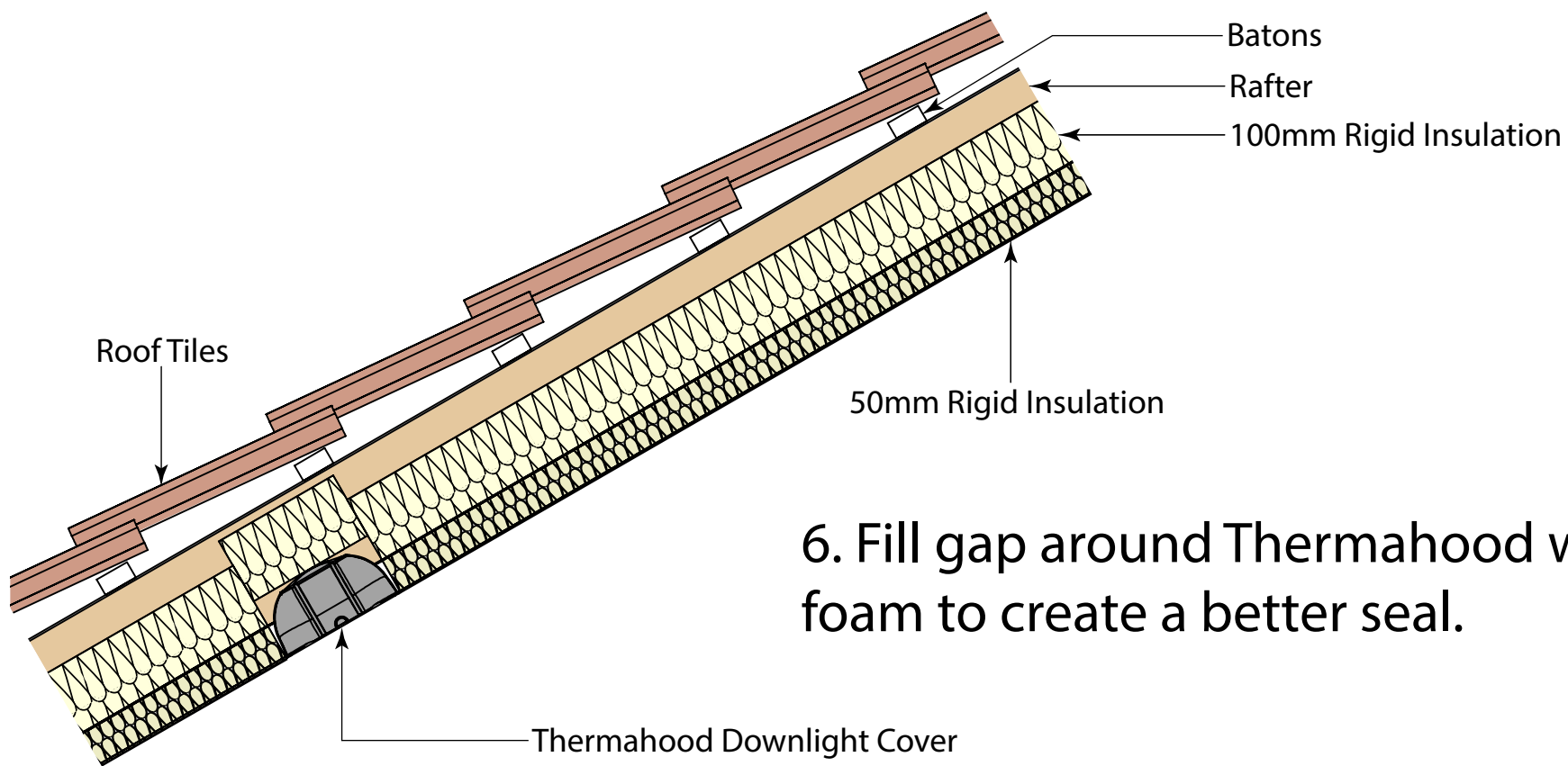




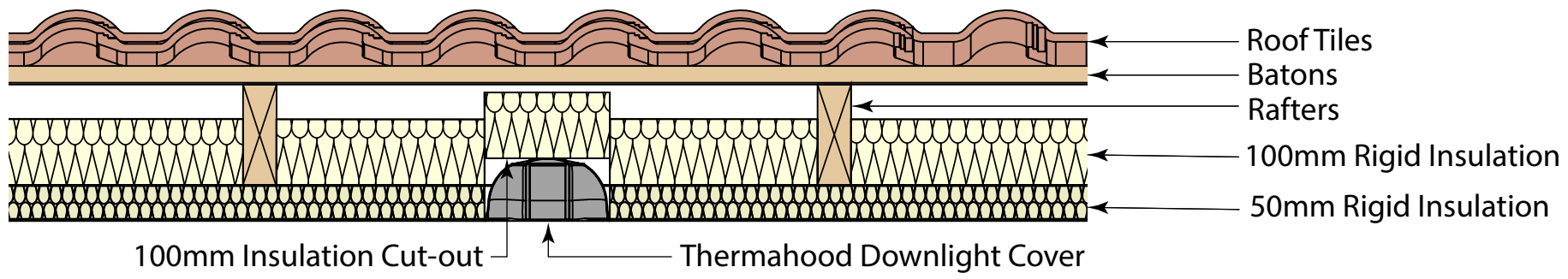
5. Apply Adhesive to the Thermahood and affix to the insulation layer ensuring the bottom lip of the Thermahood is flush with the insulation.



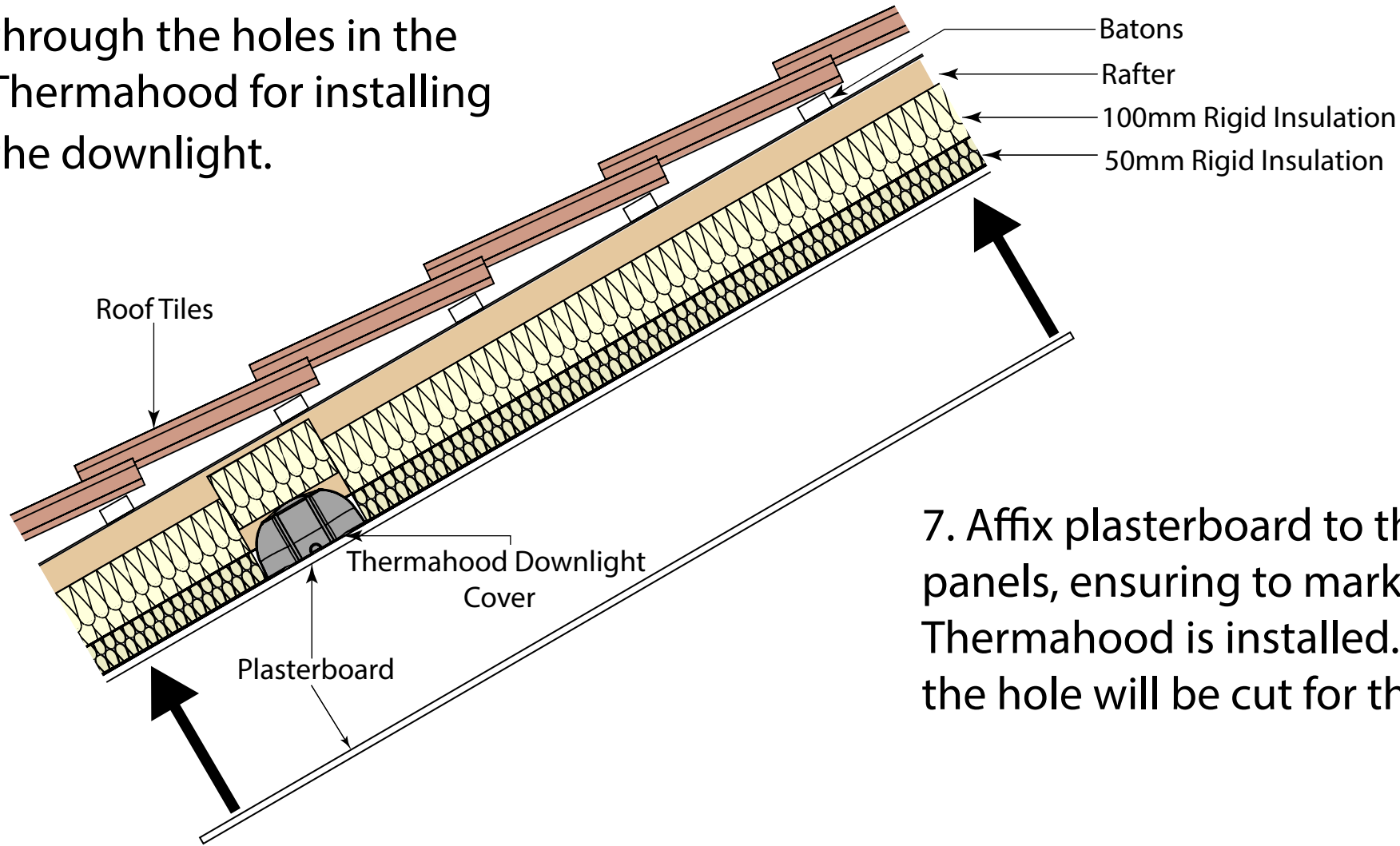




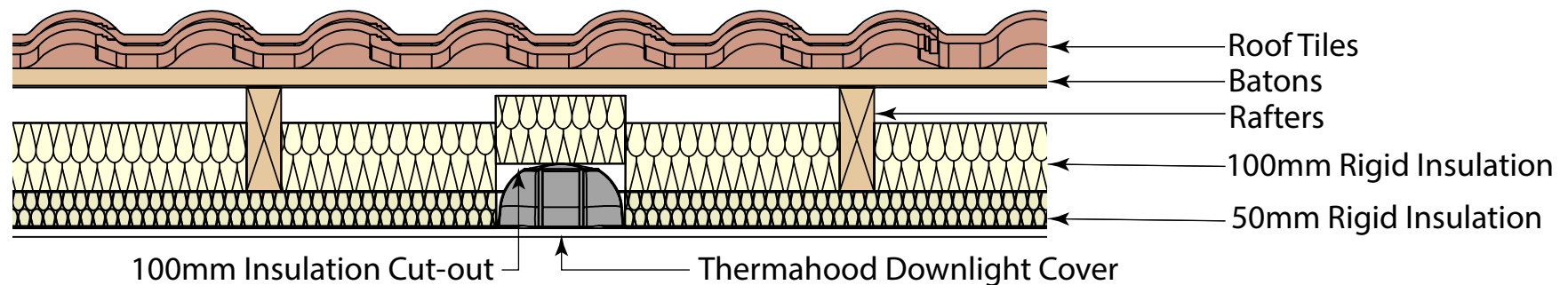
6. Fill gap around Thermahood with insulating foam to create a better seal.

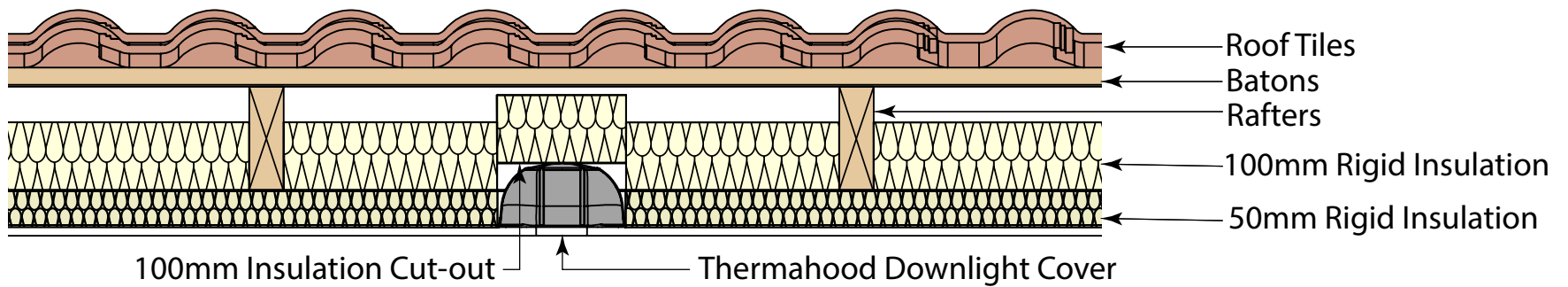
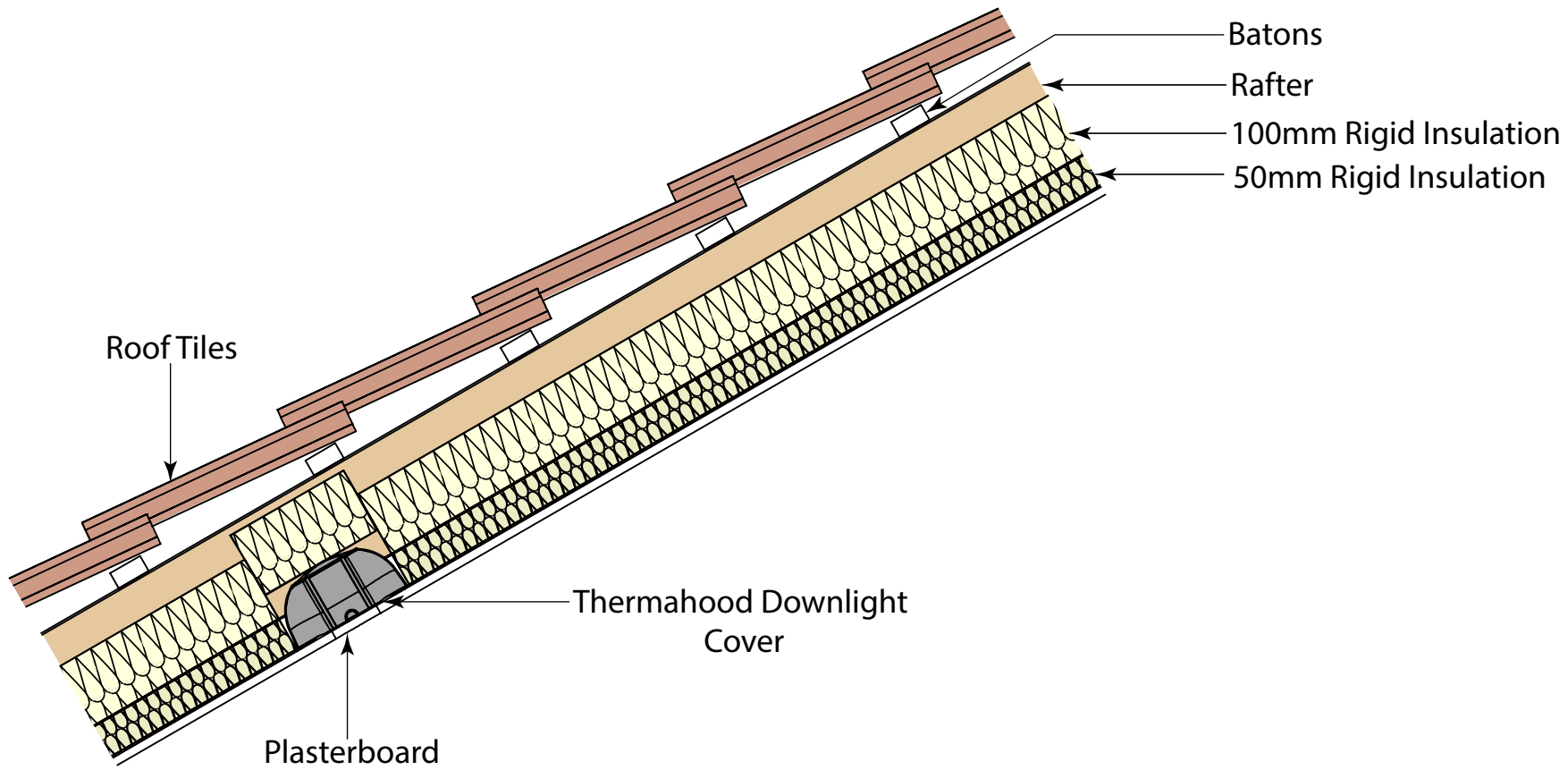


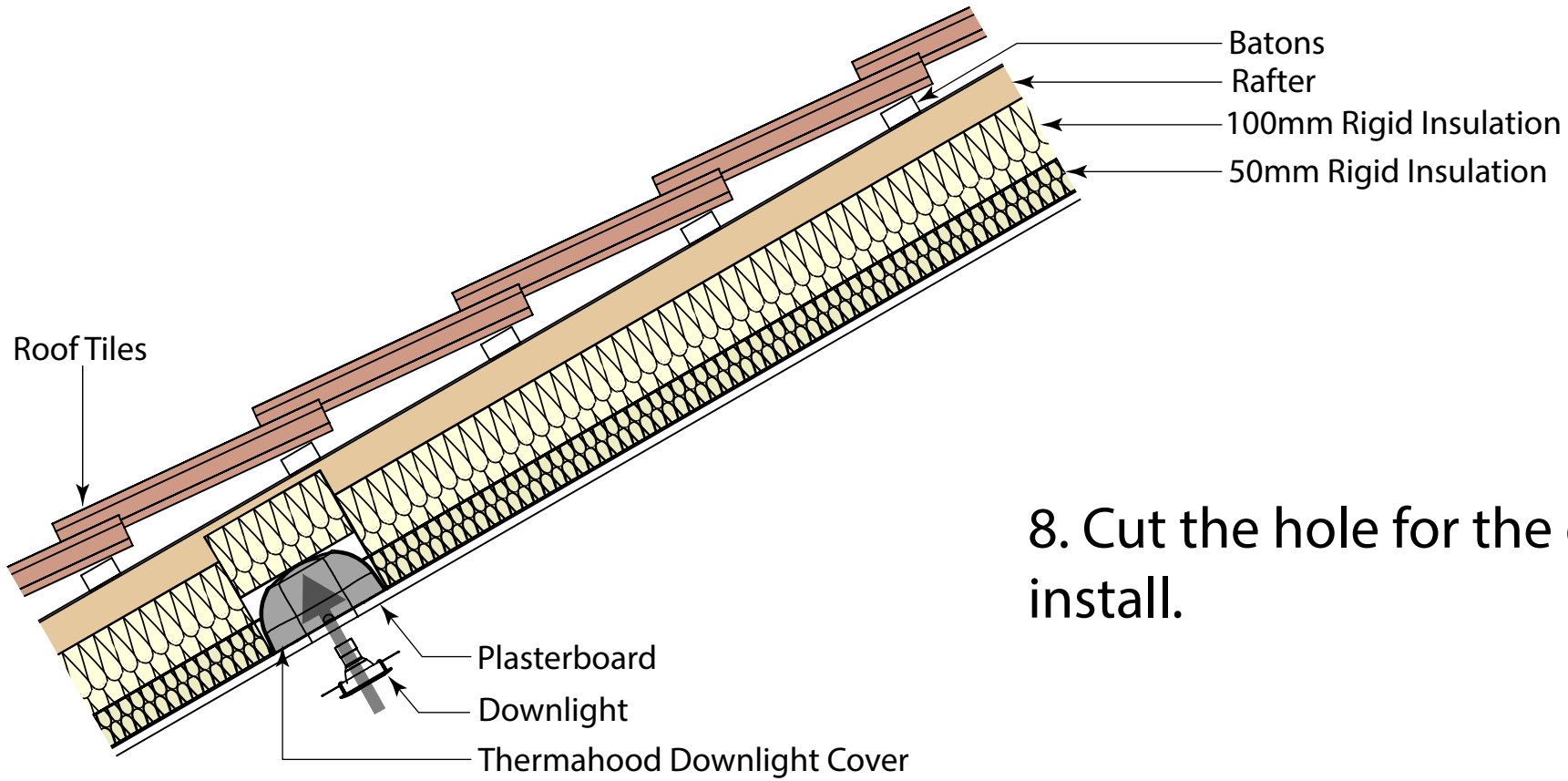
Ensure that wires are routed through the holes in the Thermahood for installing the downlight.



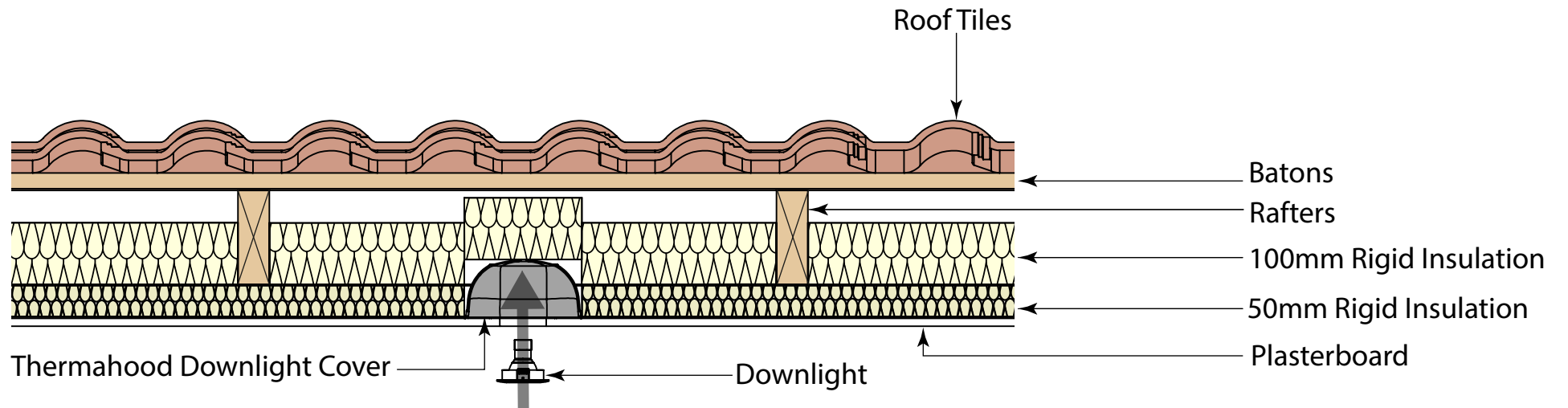
7. Affix plasterboard to the insulation panels, ensuring to mark where the Thermahood is installed. This is where the hole will be cut for the downlight.

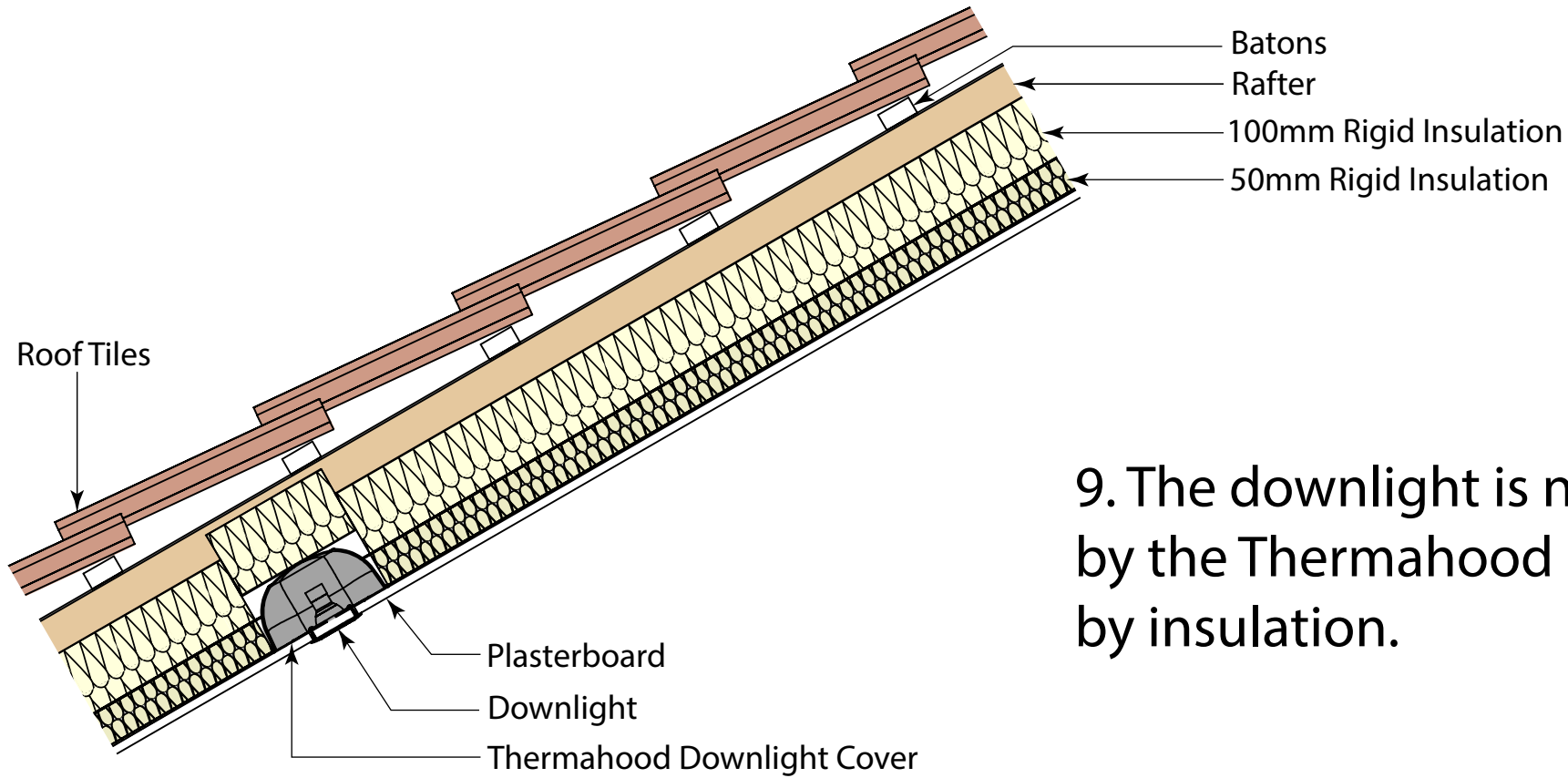






8. Cut the hole for the downlight and install.





9. The downlight is now protected by the Thermahood and surrounded by insulation.

