



Downlight Protection for a warmer home!

Thermahood's unique design provides an airtight seal that prevents heat loss and allows for continuity of loft insulation.

Reduce heat loss

Downlights add ambience and character to our homes. However, they are a weak point in fighting against heat loss as they can reduce the effectiveness of loft insulation by as much as 30%. Air leakage can be significantly reduced by fitting a Thermahood cover.

Improve air quality

By using downlight covers you can help minimise the risk of condensation by reducing draughts and air flow – our product works in tandem with heat recovery systems, supporting controlled air flow. Thermahood also prevents insects from infiltrating living areas.

Reduce fire risk

Thermahood is manufactured from recyclable, flame retardant material, which helps reduce the risk of fire from household storage items. Meet requirements for Building Regulation 2.3:

- C2 condensation
- L1 fuel conservation
- E1 sound protection

Easy to install by anyone

Once fitted, Thermahood doesn't require any maintenance. Please refer to fitting instructions for further information.

Reduce outside noise

In contrast to simple firehoods, our product provides a noise barrier.

Air Tightness Test

Thermahood has been tested in compliance with Building Control Doc. F 'Conservation of Fuel and Power' and BS EN 1026: 2000 Window and Doors - Air permeability - test method.

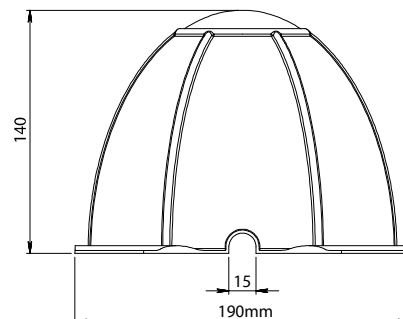
Thermahood reduced air leakage at 50pa from 5.97(m³/h*m²) to 4.69(m³/h*m²), an air-leakage reduction of 21.45%

Test Ref. No. SRC 04/13 (AA17549A A. A. Testing)

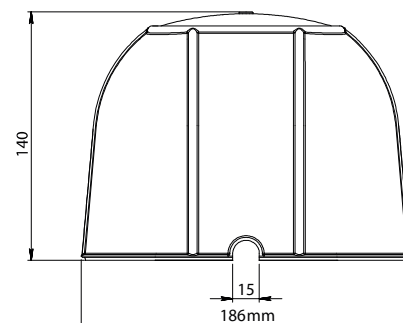
Ingress of Dust Test

Thermahood was subjected to the test of ingress dust and was deemed to comply with the requirements for dust tight luminaires, i.e. ingress protection classification IP6X

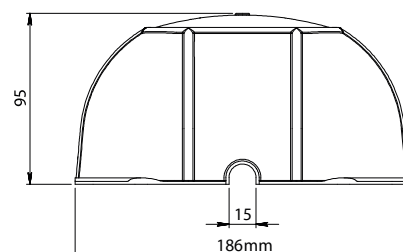
Test Specification: BS EN 60598-1:2015



TH 001 is the most popular product in the Thermahood range as it can be easily fitted over most downlights. Squared sides allows for fitting close to joist and there are four corner flanges for fixing in position.



TH 140 has more space inside due to the square shape and has no flange, this allows for fitting close to joist or rafters. TH 140 can be used with larger downlights and with downlights which have the connector block fixed at 90 degrees to the light fitting.



TH 095 has been specifically designed for use in sloped ceilings or fitting into a 100mm floor. The overall height of 95mm allows for fitting where height is restricted and maximum space for insulation is required.

Downlight protection for a safer home!

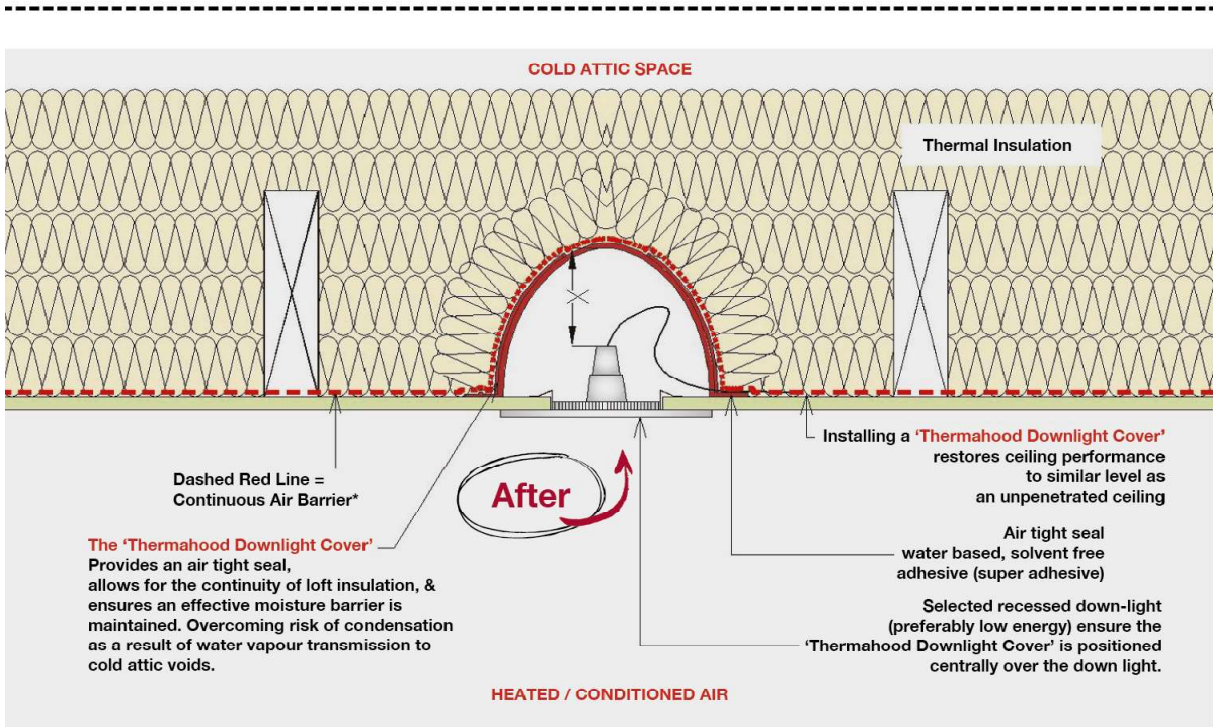
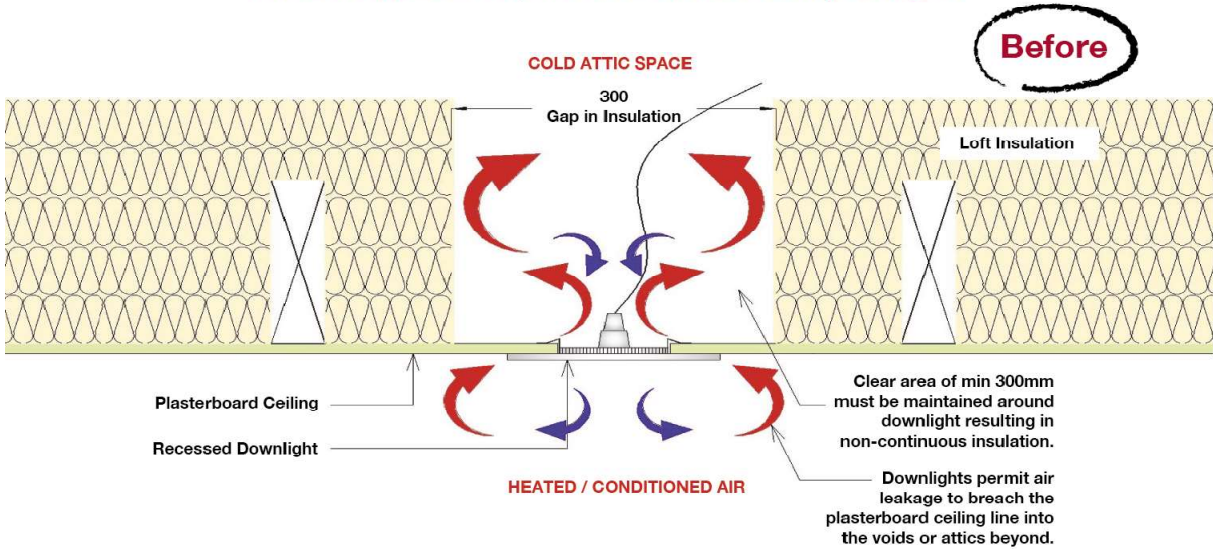
Thermography Test - Test Ref. No. SRC 05/1 3				
Characteristic		Specification	Performance	Detail
Mechanical resistance and stability	Compression Resistance	Electrical Safety Council Best Practice Guide 5	Pass	Section 3 Para 6.1
	Stability	Electrical Safety Council Best Practice Guide 5	Pass	Section 3 Para 6.1
Safety in case of fire	Flammability rated	UL94	V0	Section 4 Para 4.1
	Fire Hazard	IEC 695-2-1	960p pass	Section 4 Para 4.2
	Prevention of Overheating	BS EN 60598-2-2: 1997	Pass	Section 4 Para 4.3



Downlight protection for an energy efficient home!

Thermahood Downlight Cover

Fit more insulation, improve heat retention & stop draughts.



Thermahood helps guarantee building standards for professional builders by minimising the risks involved in installing unprotected downlights. **Loft or attic insulation effectiveness can be improved by as much as 50% by using Thermahood Downlight Covers!**

