



Fitting Instructions

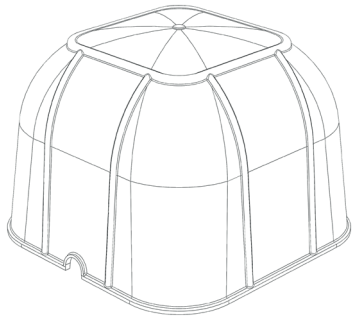
Precautions

Always ensure Health and Safety in the home and work place. Thermahood advise that Health & Safety should be considered before, during and after undertaking works.

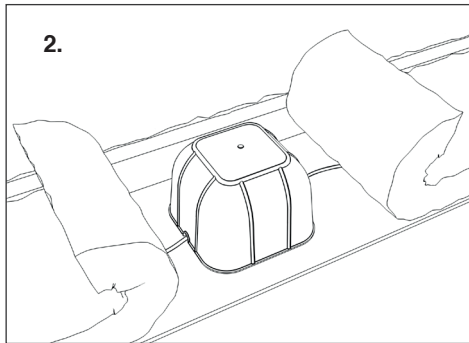
**Isolate power source
(Turn Off Power at Meter),
before working around
electrical equipment.**

NOTE:

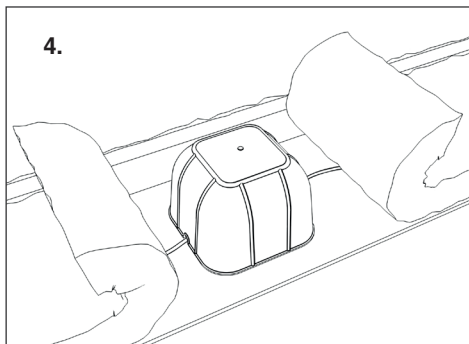
Thermahood is not suitable for use with Dichroic type or non-reflector type lamps



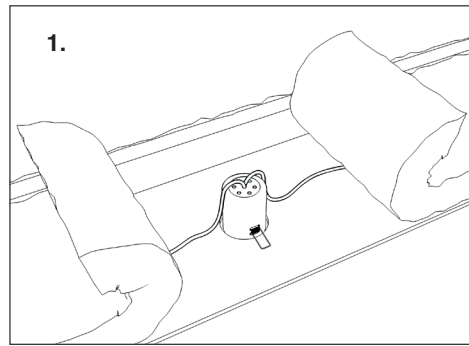
Product Code: TH 140
Product Dimensions: 186mm x 186mm
I/H 137mm



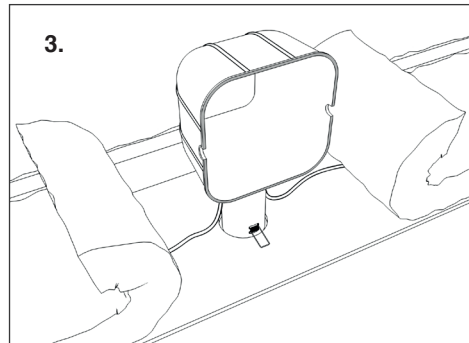
Place Thermahood over the downlight, bring the wire through the aperture on the rim of the cover; a double wire it should also fit neatly into the aperture.



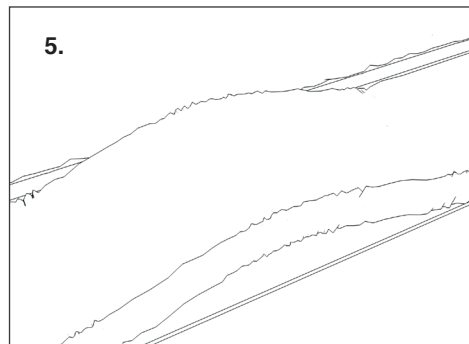
Thermahood can now be fitted to the ceiling lining. Make sure to keep enough slack on wires in order to change the bulb/lamp.



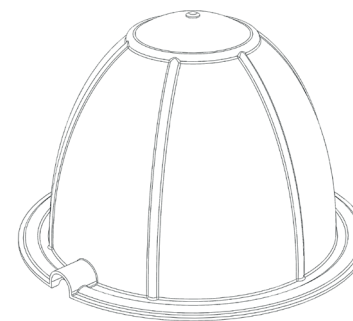
1. Clear the area around the downlight and clean dust from ceiling lining (plasterboard etc).



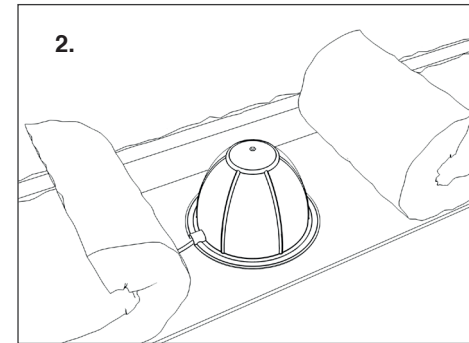
3. If you prefer to have your Thermahood adhered to the ceiling, take the cover off and apply water based adhesive around the rim of the hood or use Air-tightness tapes and/or adhesive.



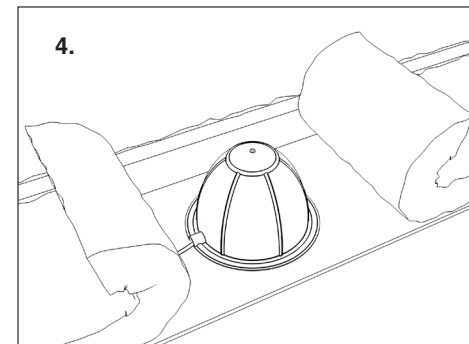
5. Insulation can be fitted up to and over Thermahood.



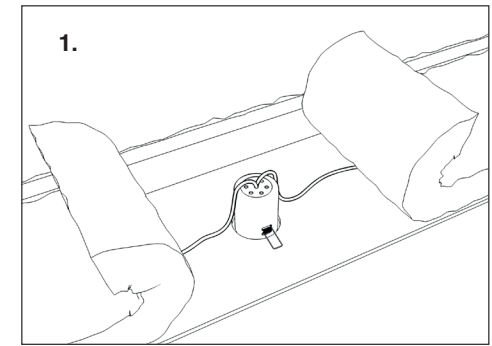
Product Code: TH 001
Product Dimensions: O/D 205mm
I/D 165mm
I/H 133mm



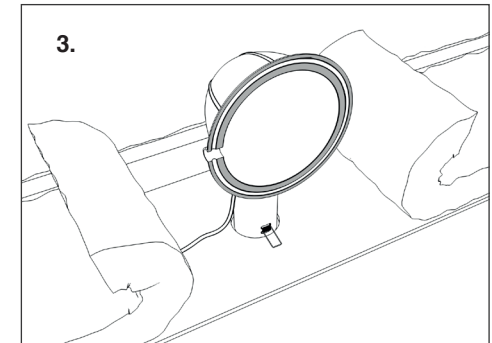
2. Place Thermahood over the downlight, bring the wire through the aperture on the rim of the cover; a double wire it should also fit neatly into the aperture.



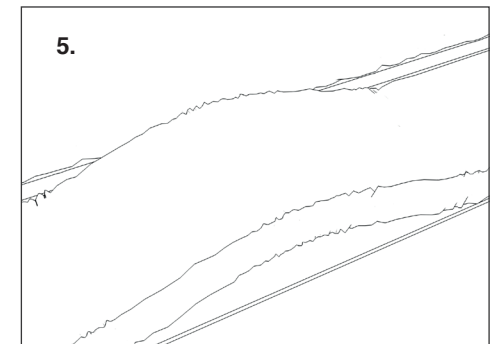
Thermahood can now be fitted to the ceiling lining. Make sure to keep enough slack on wires in order to change the bulb/lamp.



1. Clear the area around the downlight and clean dust from ceiling lining (plasterboard etc).



3. If you prefer to have your Thermahood adhered to the ceiling, take the cover off and apply water based adhesive around the rim of the hood or use Air-tightness tapes and/or adhesive.



5. Insulation can be fitted up to and over Thermahood.



Before fitting Thermahood, ensure that electrical wiring and components meet and are fitted to current standards, e.g; BS 7671 and/or IEC 60364 (British & European Standards) and relevant manufacturers instructions.

Check that all components are suitable to be covered and/or enclosed, if required get a qualified professional to survey and carry out works.

Sale of Halogen Lamps has been banned in UK & Europe due to poor efficiency. Thermahood recommends use of LED lamps with our products



Thermahood Ltd

Unit 5d Milltown Ind. Est.
Warrenpoint, Co.Down
BT34 3FN

☎ 028 417 74047
🌐 thermahood.com
✉ info@thermahood.com